

# CARTWRIGHT

## 3395PL

### LARGE DRUM PENDANT

The Cartwright pendant collection captures a modern farmhouse aesthetic with its minimalist silhouette enriched by exquisite details and rich finishes. Contrasting straps are enhanced by bold rivets while robust hooks add a masculine elegance.

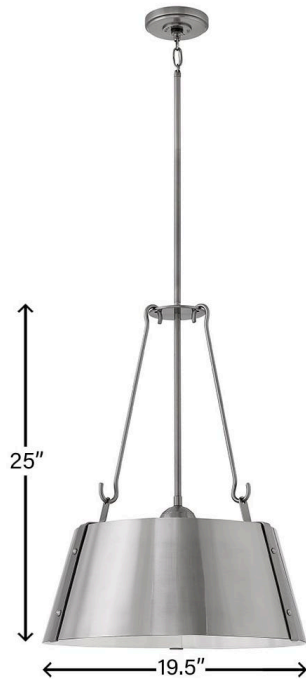
DETAILS	
FINISH:	Polished Antique Nickel
MATERIAL:	Steel
SLOPE DEGREE:	90
DIMMABLE:	YES - WITH DIMMABLE LAMP (NOT INCLUDED)

DIMENSIONS	
WIDTH:	19.5"
HEIGHT:	25"
WEIGHT:	12.3lb

LIGHT SOURCE	
LIGHT SOURCE:	Socketed
WATTAGE:	3-14w Med. LED, 100w Equiv.
VOLTAGE:	120v

MOUNTING	
CANOPY:	5" Dia.
LEAD WIRE:	1 X 120"
MAX HEIGHT:	59.5

SHIPPING	
CARTON LENGTH:	22.5
CARTON WIDTH:	22.3
CARTON HEIGHT:	14
CARTON WEIGHT:	16.5



#### PRODUCT DETAILS:

- Can be hung on a sloped ceiling
- Includes (1) 6" stem and (2) 12" stems to customize hanging height
- Dry Rated
- Angular lines, a bold finish, simple shape and sturdy details merge for a robust but pared down industrial design

# HINKLEY

HINKLEY  
33000 Pin Oak Parkway  
Avon Lake, OH 44012

PHONE: (440) 653-5500  
Toll Free: 1 (800) 446-5539

[hinkley.com](http://hinkley.com)