

# GLADIATOR ILLUMINATED

**900460FBN-LID**

GLADIATOR ILLUMINATED 60" LED FAN



DETAILS	
FAN FINISH:	Brushed Nickel
GLASS:	White Linen
BLADE COUNT:	5
SLOPE DEGREE:	22

DIMENSIONS	
WIDTH:	60"
HEIGHT:	19.3"

LIGHT SOURCE	
VOLTAGE:	120v

MOUNTING	
CANOPY:	6" Dia.
LEAD WIRE:	1 X 76"

SHIPPING	
CARTON LENGTH:	29.5
CARTON WIDTH:	17
CARTON HEIGHT:	11

With the greatest combination of power, versatility and technology, Gladiator has it all. Its LED bulbs and DC motor technology deliver excellent energy efficiency. Gladiator comes in all of Hinkley's best finishes with reversible blades, maximizing design choices for almost any interior space. Blades are included with every fan.

## PRODUCT DETAILS:

- This item includes a 4.5" down rod. Other various lengths of down rods are available and sold separately to customize the installation height.
- Suitable for use in dry (indoor) locations as defined by NEC and CEC. Meets United States UL Underwriters Laboratories & CSA Canadian Standards Association Product Safety Standards
- This item may be hung on a sloped ceiling
- Pull chain manual reverse, accessory controls available
- Each customizable blade offers two finish options; simply reverse the blade to select your preferred finish.
- LED bulbs carry a 3-year limited warranty
- Motor carries a lifetime warranty
- Blades, controls, switches, capacitors and hardware carry a 1 year warranty

# HINKLEY

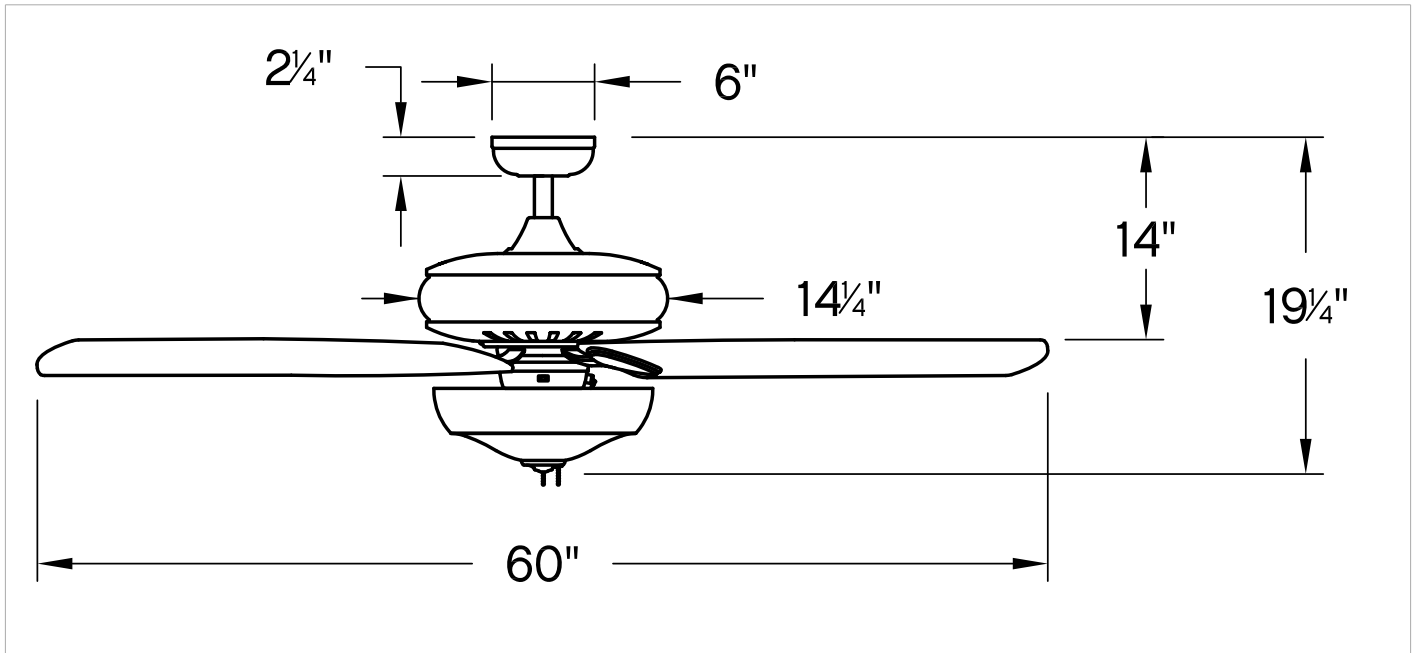
HINKLEY  
33000 Pin Oak Parkway  
Avon Lake, OH 44012

PHONE: (440) 653-5500  
Toll Free: 1 (800) 446-5539

[hinkley.com](http://hinkley.com)

# GLADIATOR ILLUMINATED 60" LED FAN

900460FBN-LID



PERFORMANCE SPECIFICATIONS	STANDARD	
	HIGH SPEED	AVERAGE SPEED
Airflow	6118	4571
EnergyUse	31.3	20
EnergyCost	9	6
Efficiency	196	223
AMPS	0.41	0.26
RPMS	116	88

**AVERAGE PERFORMANCE AND ENERGY INFORMATION**

## ENERGYGUIDE

Estimated Yearly Energy Cost

### \$6

Cost Range of Similar Models (19" – 84")

\$3 | | | \$34

• Based on 12 cents per kWh and 6.4 hours use per day  
 • Your cost depends on rates and use  
 • Energy Use: 20 Watts

Airflow

### 4,571

Cubic Feet Per Minute

• The higher the airflow, the more air the fan will move  
 • Airflow Efficiency: 223 Cubic Feet Per Minute Per Watt

All estimates based on typical use, excluding lights [ftc.gov/energy](http://ftc.gov/energy)

Airflow Shown Is a Weighted Average of High and Low Cubic Feet per Minute Based on Downrod

# HINKLEY

HINKLEY  
 33000 Pin Oak Parkway  
 Avon Lake, OH 44012

PHONE: (440) 653-5500  
 Toll Free: 1 (800) 446-5539

[hinkley.com](http://hinkley.com)