

SURF

2355SS

LARGE WALL MOUNT LANTERN

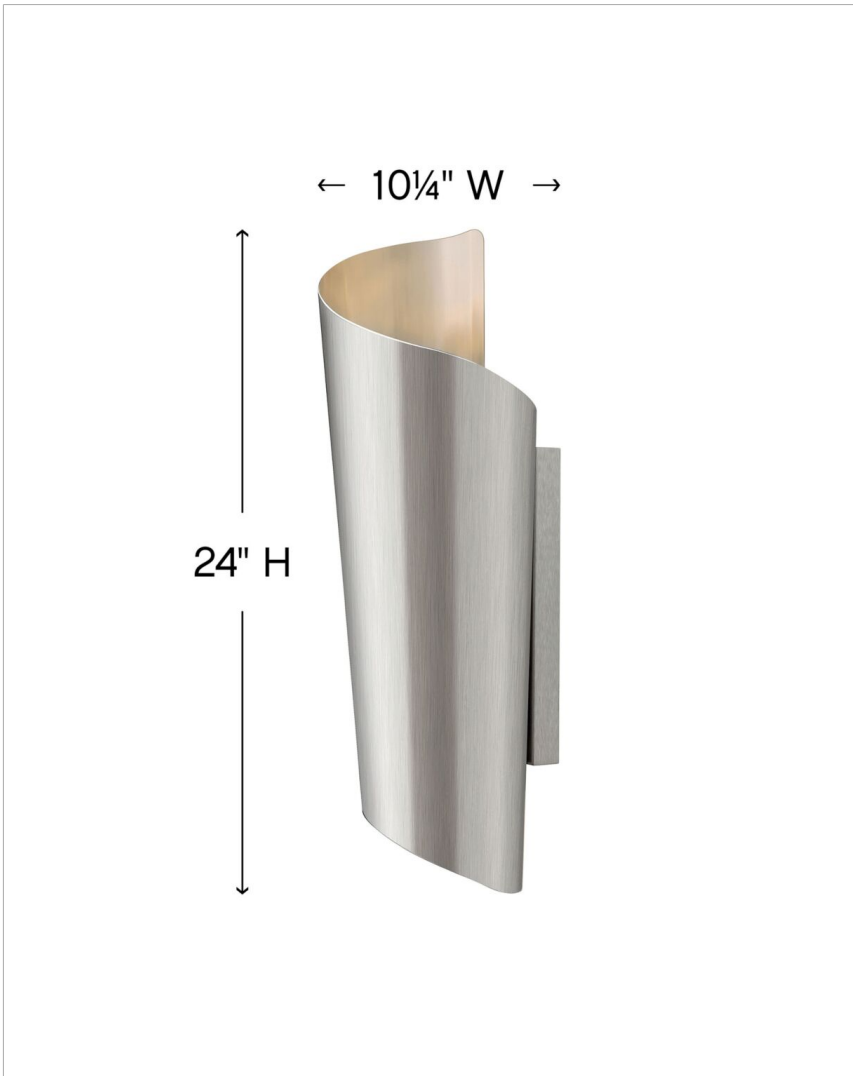
Surf's chic design reflects the natural curl of a breaking wave. Constructed of solid aluminum for maximum durability, this LED lantern emits light both up and down.

DETAILS	
FINISH:	Stainless Steel
MATERIAL:	Stainless Steel
DIMMABLE:	Yes

DIMENSIONS	
WIDTH:	10.3"
HEIGHT:	24"
WEIGHT:	10lb
BACK PLATE:	5"W X 11.5"H
EXTENSION:	8"
TOP TO OUTLET:	14"

LIGHT SOURCE	
LIGHT SOURCE:	Integrated LED
LED NAME:	(2) LESF-2
WATTAGE:	30w LED *Included
VOLTAGE:	120v
LUMENS:	2000
CRI:	90
INCANDESCENT EQUIVALENCY:	2 x 75w
DIMMABLE:	Yes

SHIPPING	
CARTON LENGTH:	15
CARTON WIDTH:	11.5
CARTON HEIGHT:	28.5
CARTON WEIGHT:	13



PRODUCT DETAILS:

- Stainless steel provides superior strength and performance
- LED components carry a 5-year limited warranty
- Suitable for use in wet (outdoor direct rain) locations as defined by NEC and CEC. Meets United States UL Underwriters Laboratories & CSA Canadian Standards Association Product Safety Standards
- 2-year finish warranty
- Exclusively available in High Performance LED
- Bold lines and a clean, minimalist style complement contemporary architecture

HINKLEY

HINKLEY
33000 Pin Oak Parkway
Avon Lake, OH 44012

PHONE: (440) 653-5500
Toll Free: 1 (800) 446-5539

hinkley.com